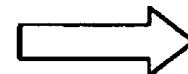
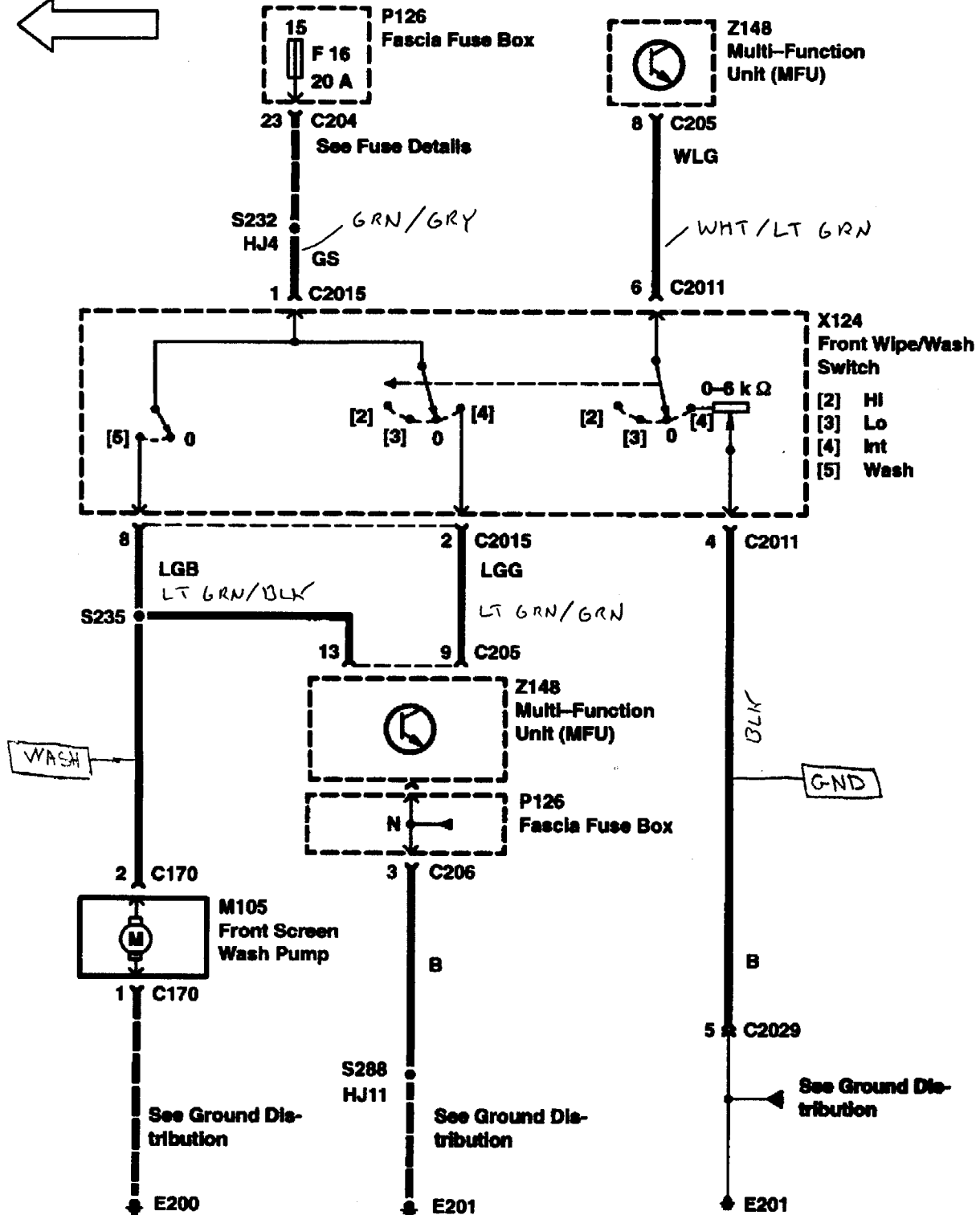
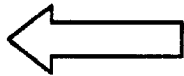


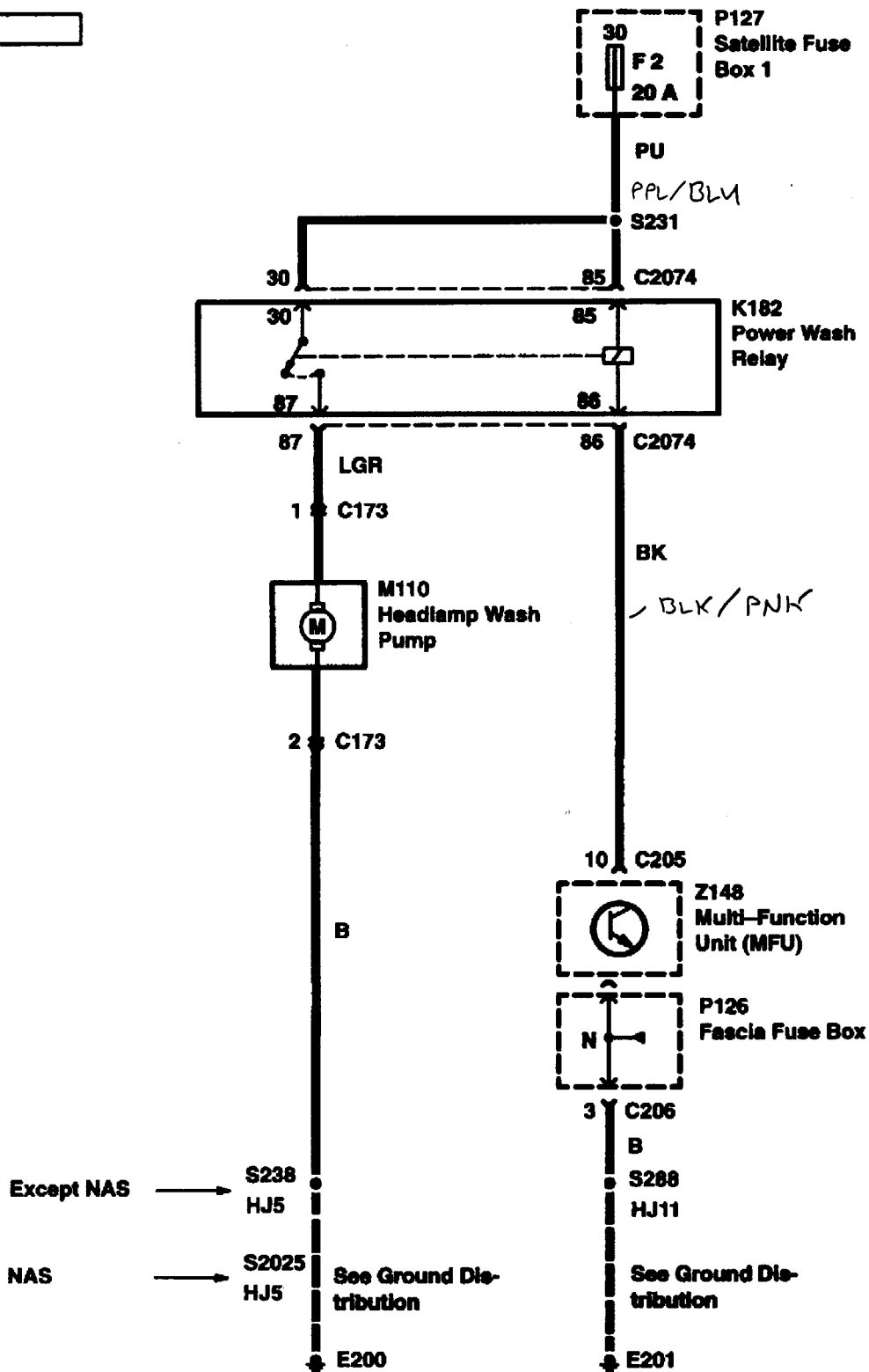
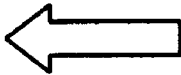
F1-1

RainTracker™
VEHICLE INTERFACE
WIRING DIAGRAM



F1-2

RainTracker™
VEHICLE INTERFACE
WIRING DIAGRAM



F1-3

RainTracker™
VEHICLE INTERFACE
WIRING DIAGRAM

© 2003 OPTO-ELECTRONIC DESIGN, INC