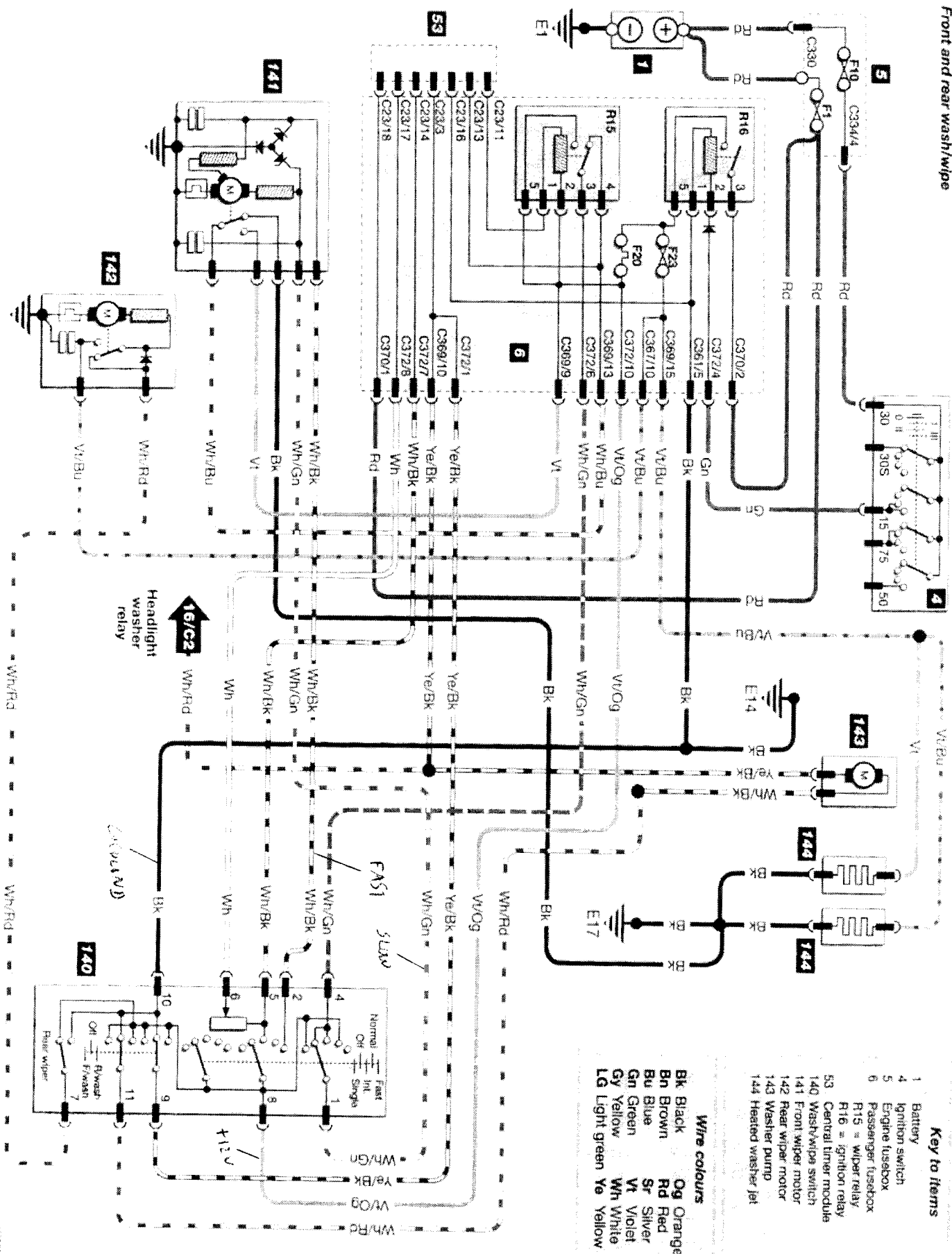


Front and rear wash/wipe



Key to items

- 1 Battery
- 4 Ignition switch
- 5 Engine fusebox
- 6 Passenger fusebox
- R15 = wiper relay
- R16 = ignition relay
- 53 Central timer module
- 140 Wash/wipe switch
- 141 Front wiper motor
- 142 Rear wiper motor
- 143 Washer pump
- 144 Heated washer jet

Wire colours

- Bk Black
- Bn Brown
- Bu Blue
- Gn Green
- Gy Yellow
- Lg Light green
- Og Orange
- Rd Red
- Sr Silver
- Vt Violet
- Wh White
- Ye Yellow

Diagram 15 : Typical Wash/wipe and heated washer jets